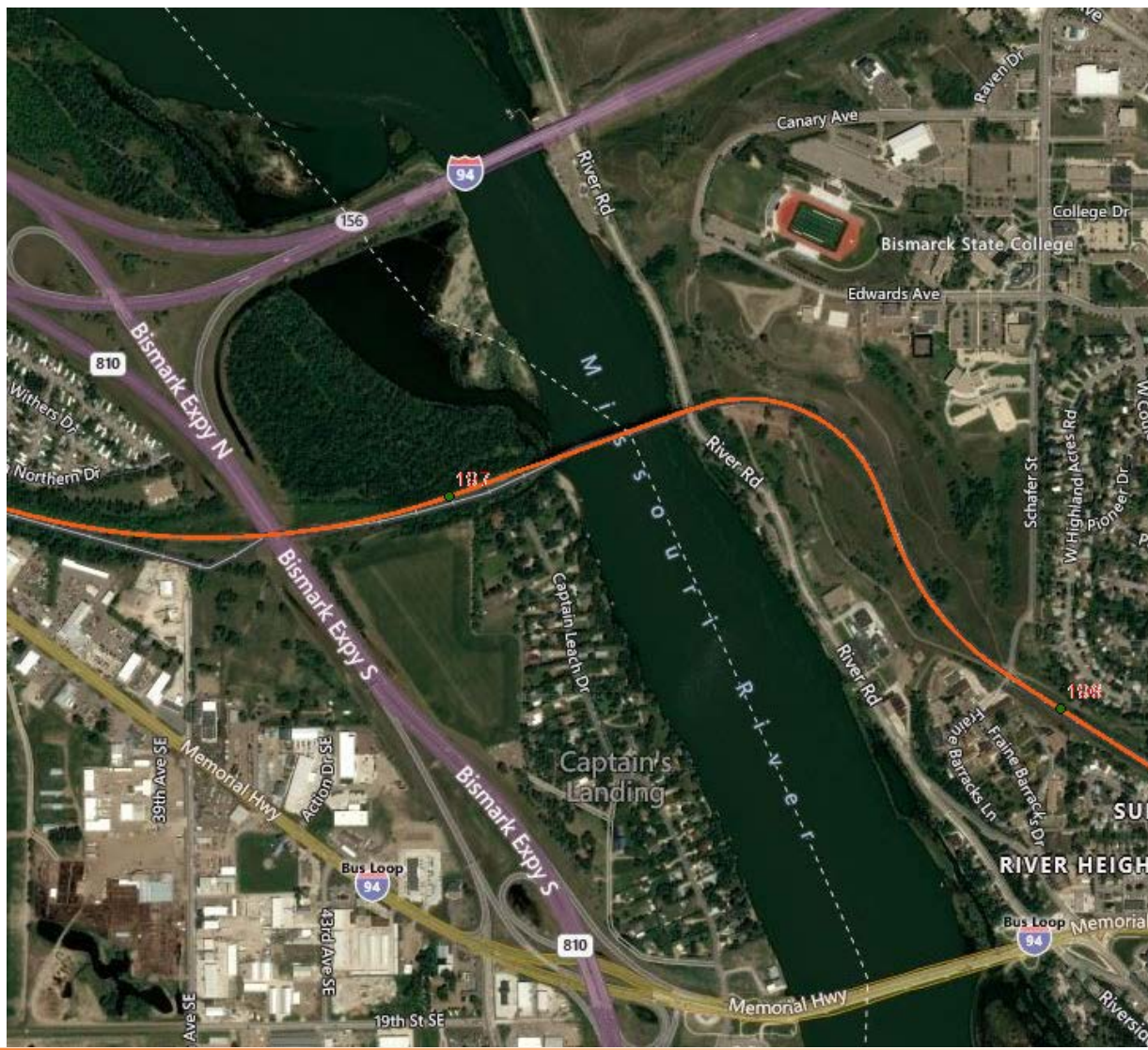


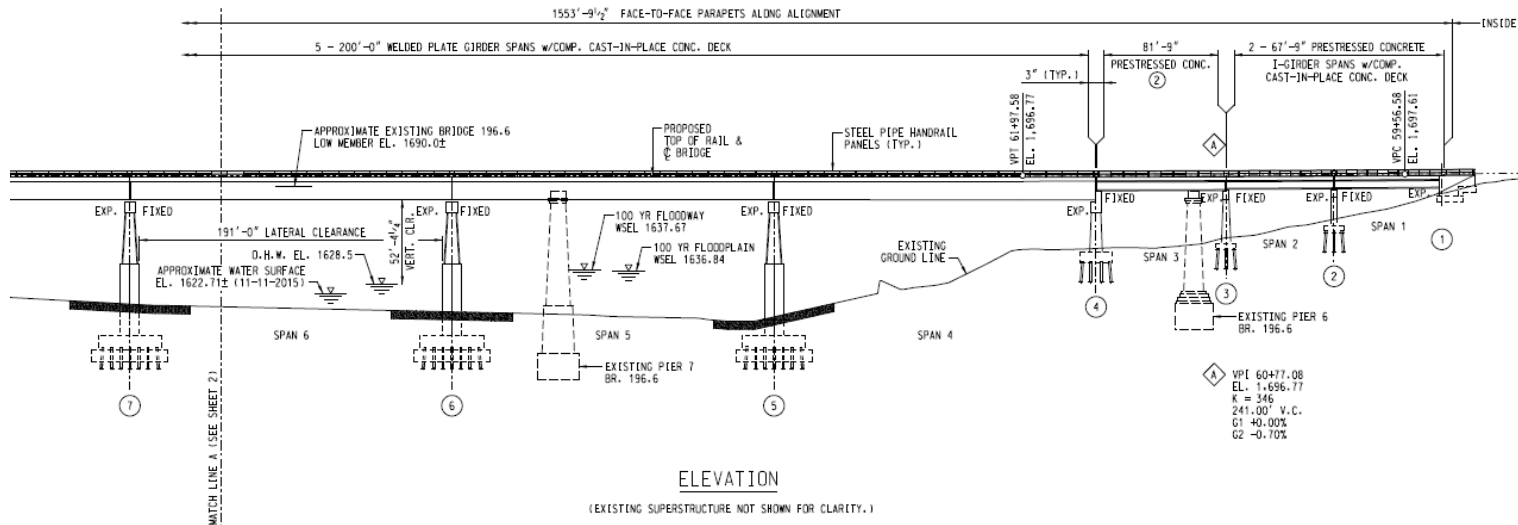
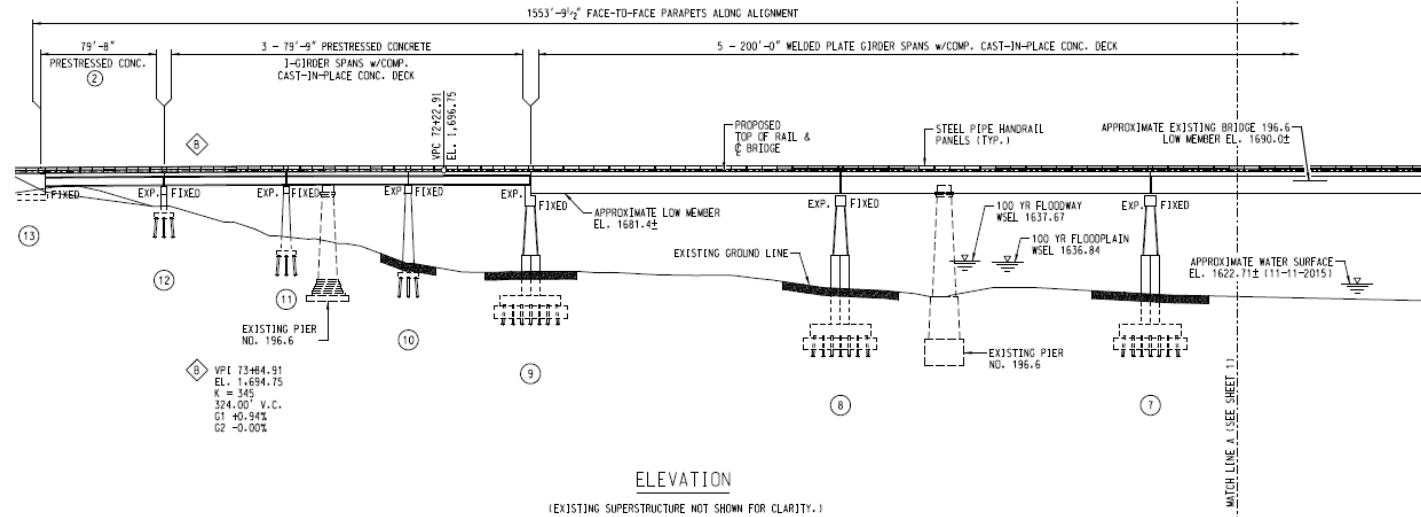
BNSF Bridge Project 0038-196.6 (Bismarck, ND)

Bridge Advisory Committee
February 15, 2021

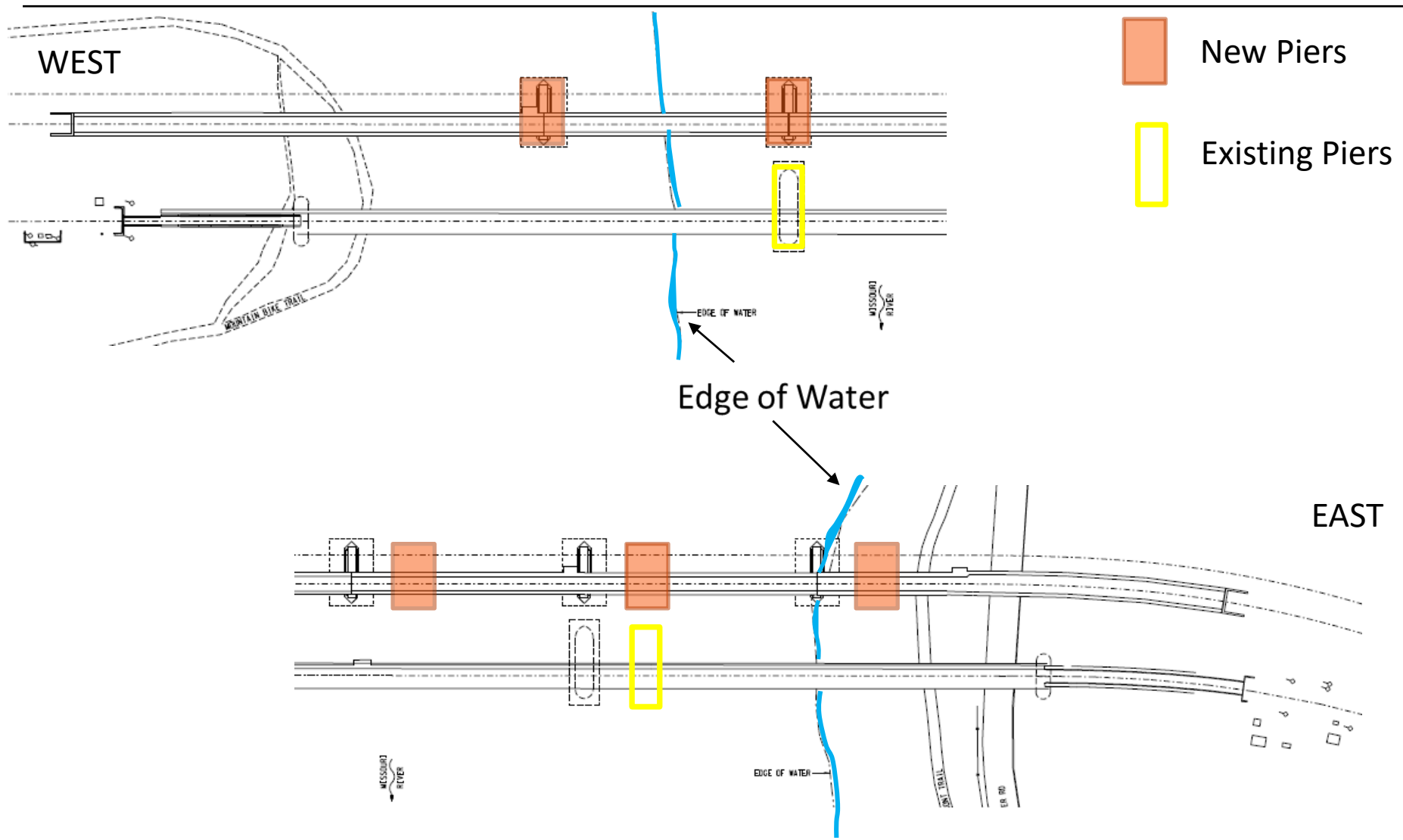
BNSF Bridge Project – Surrounding Area



Elevation View – Proposed Concept



Alt Concept : 200ft Spans, Piers 92.5ft Upstream



North View - Memorial Highway

≈ 0.80 mile



© 2021 Google

South View - I-94

≈ 0.40 mile



© 2021 Google

South View

200ft Spans - 92.5ft Upstream



South View - River Road



South View – West River Bank



West View - River Road



West View - River Road

200ft Spans - 92.5ft Upstream



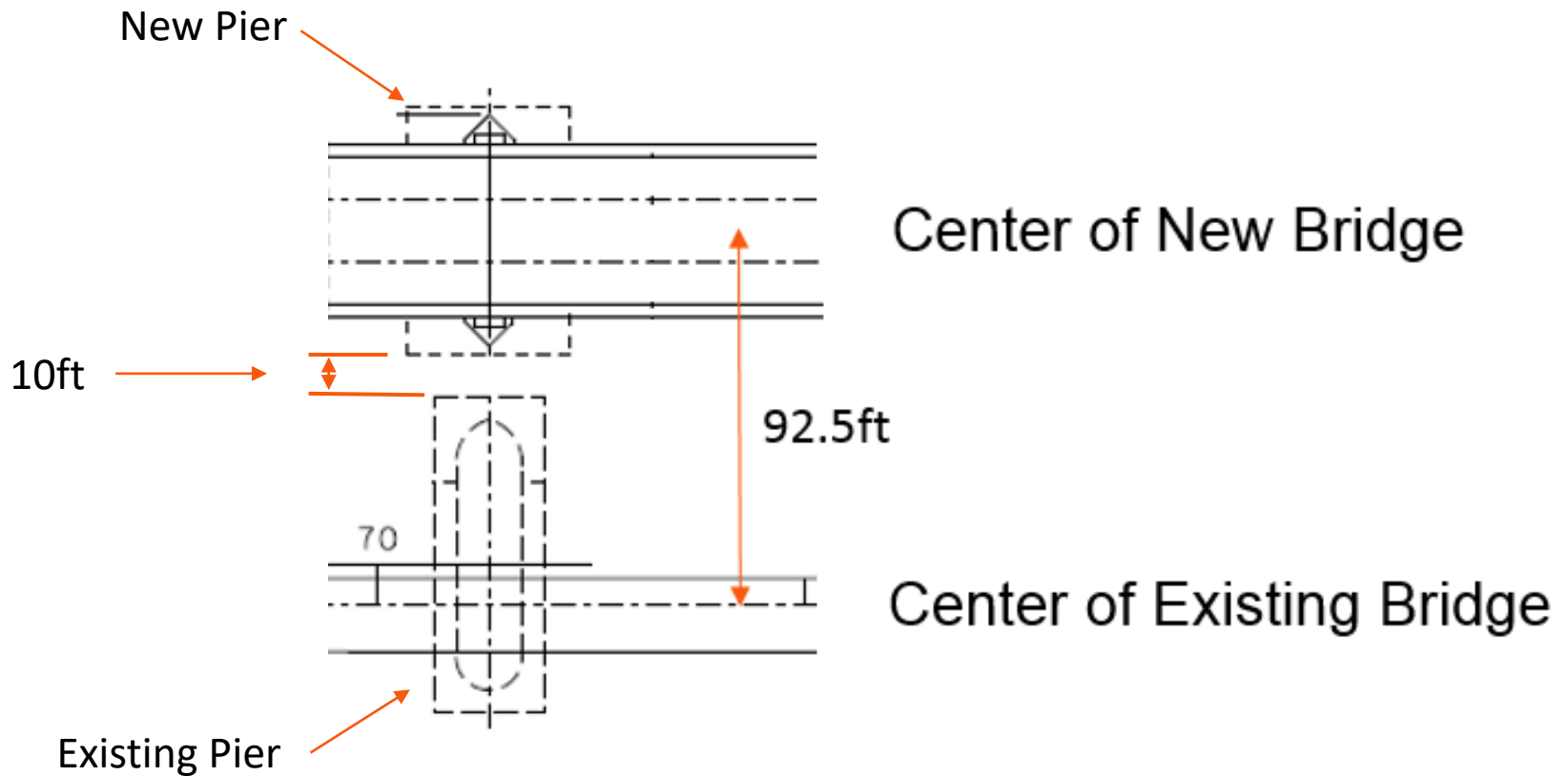
Northeast View - Captain's Landing

200ft Spans - 92.5ft Upstream



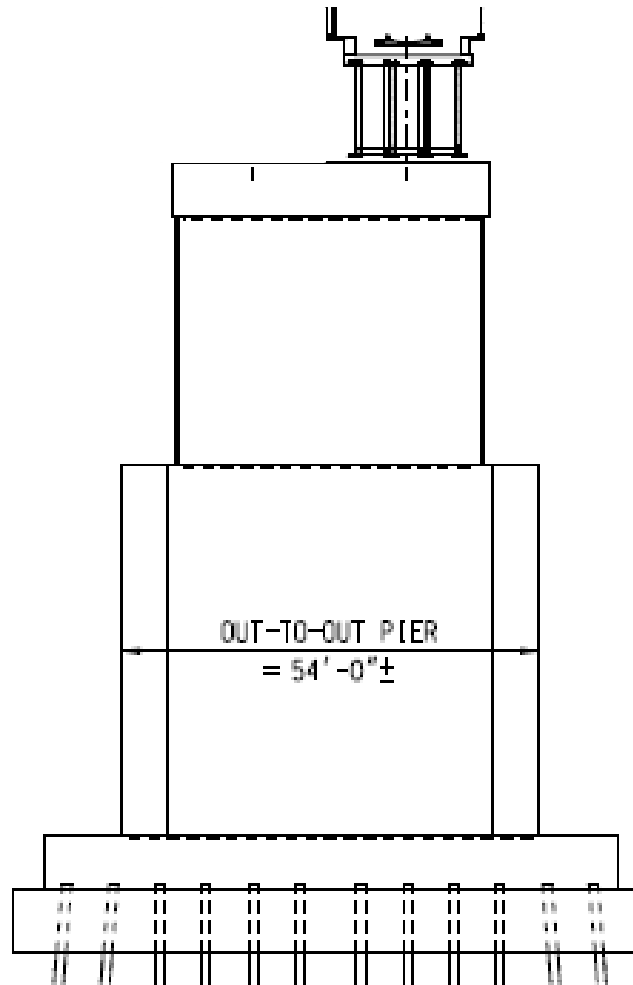
River Pier Layout

200ft Spans - 92.5ft Upstream



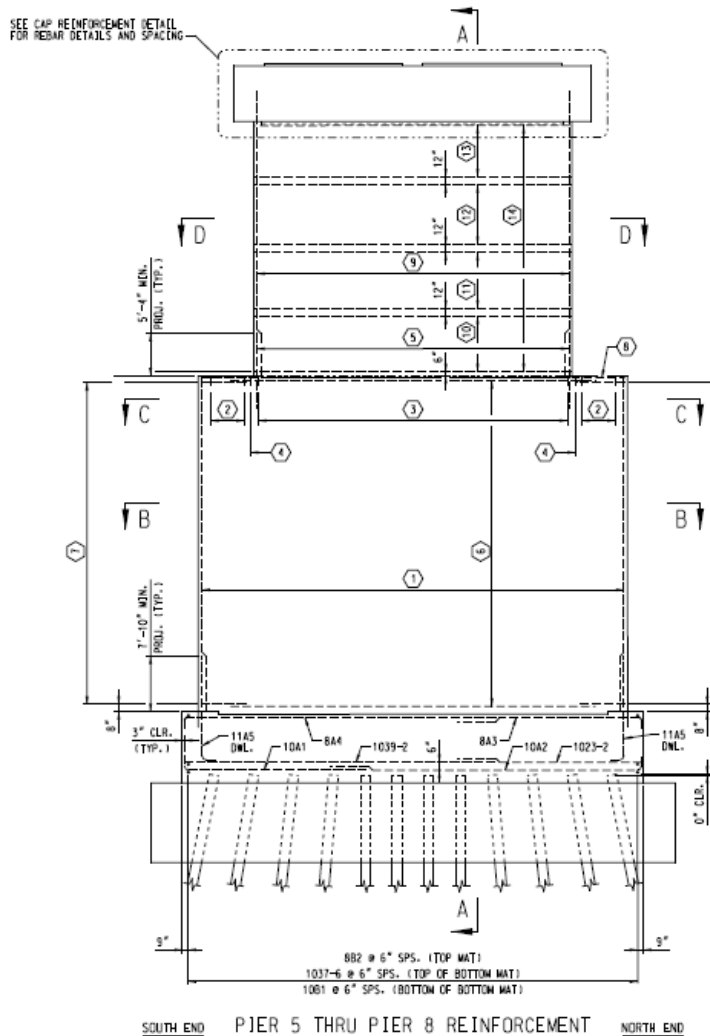
Typical River Pier

Proposed and Alt Concepts with 200ft Spans

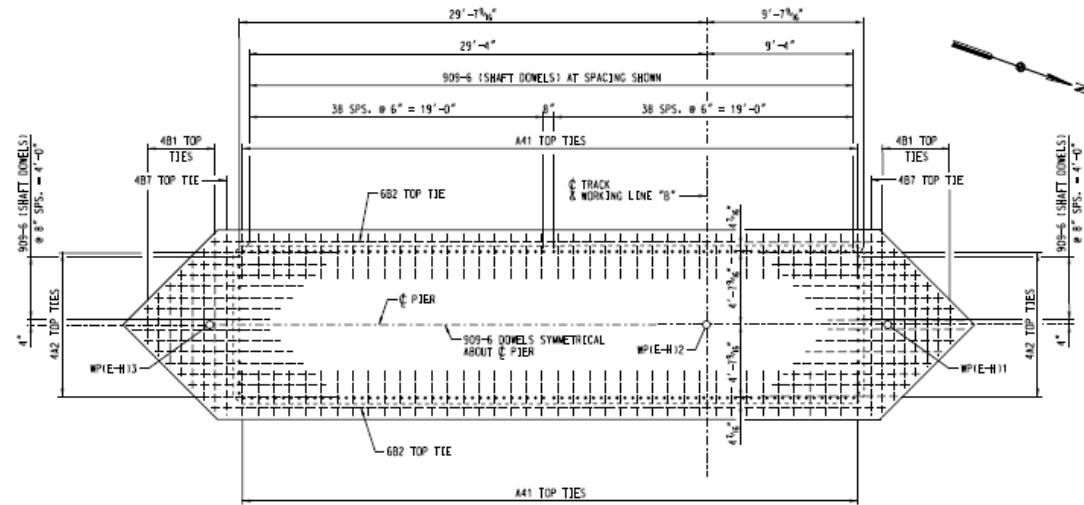


Typical River Pier

Proposed and Alt Concepts with 200ft Spans

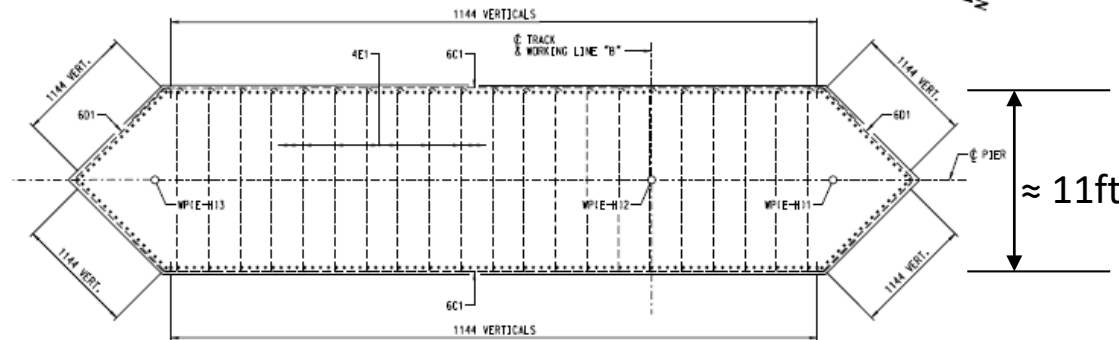


SOUTH END PIER 5 THRU PIER 8 REINFORCEMENT NORTH END



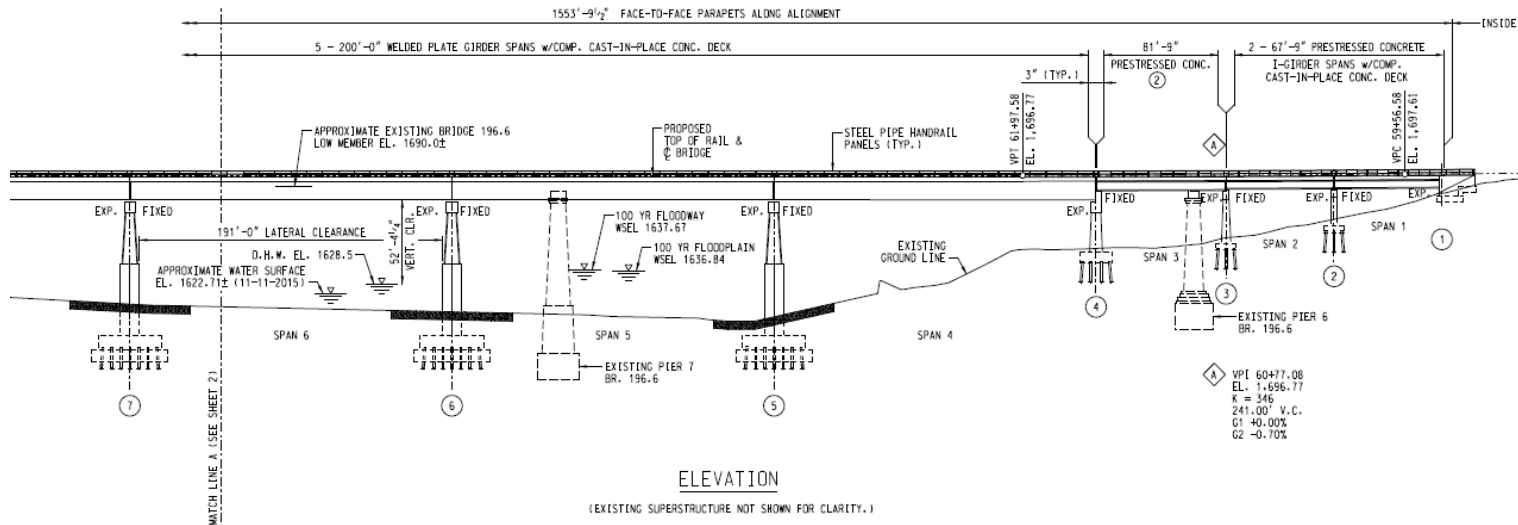
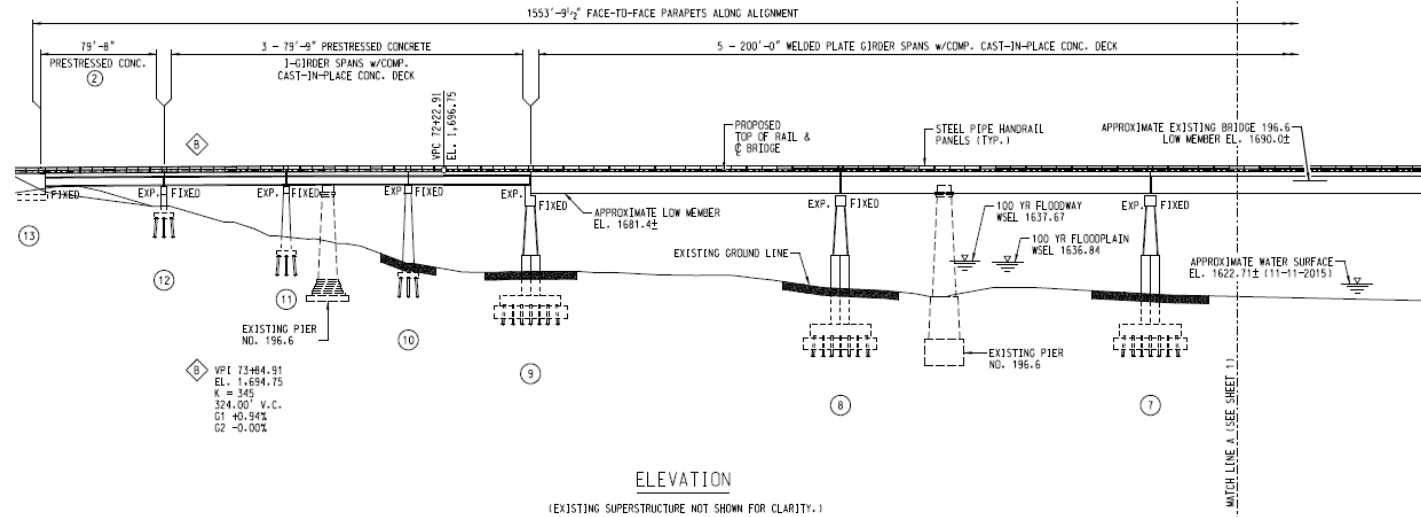
SECTION C-C

(PIER WALL VERTICAL AND HORIZONTAL REINFORCEMENT NOT SHOWN FOR CLARITY)
 SHAFT DOWEL BARS ARE DIMENSIONED AT THE TOP OF THE PIER WALL



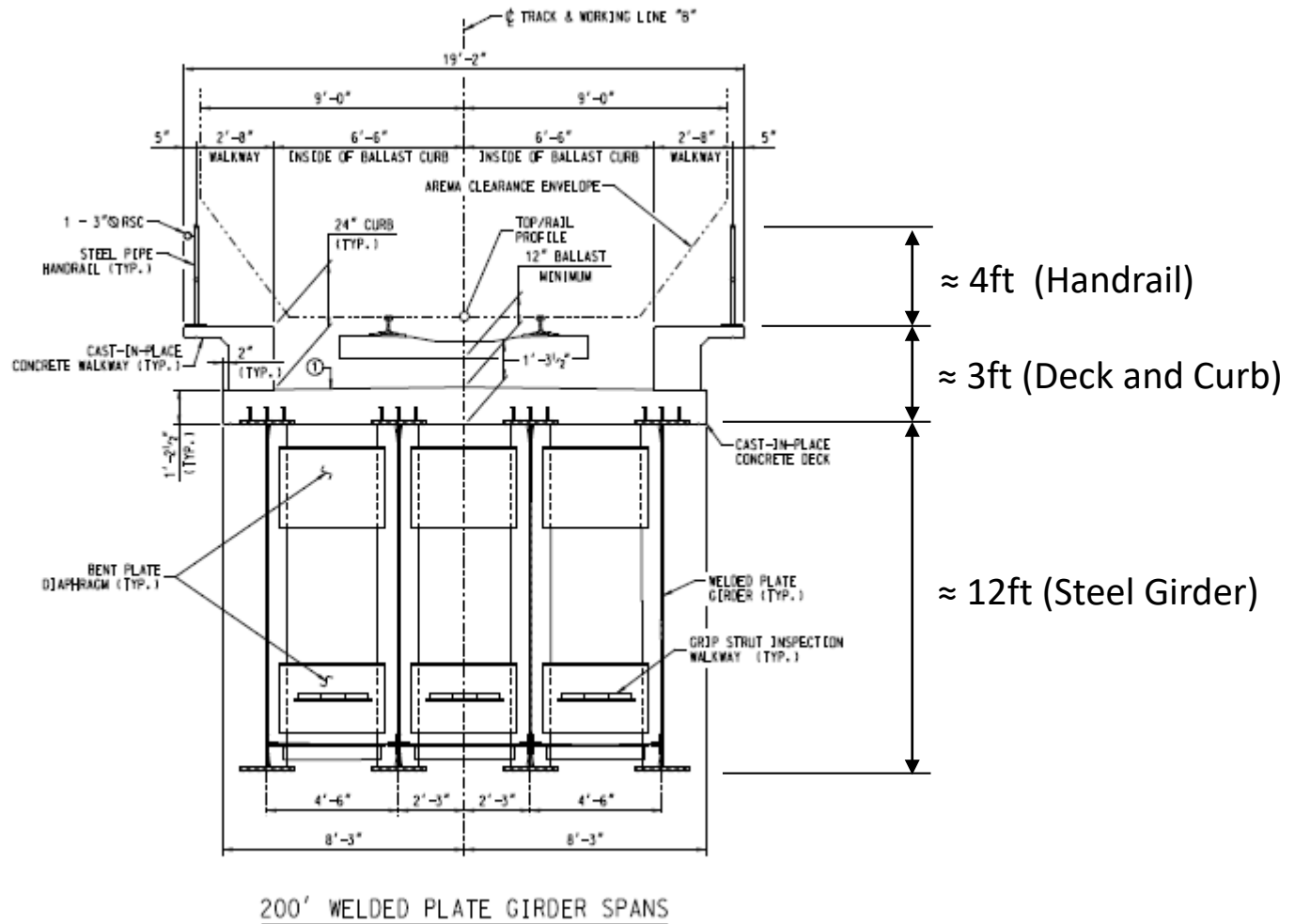
SECTION B-B

Elevation View - Proposed Concept



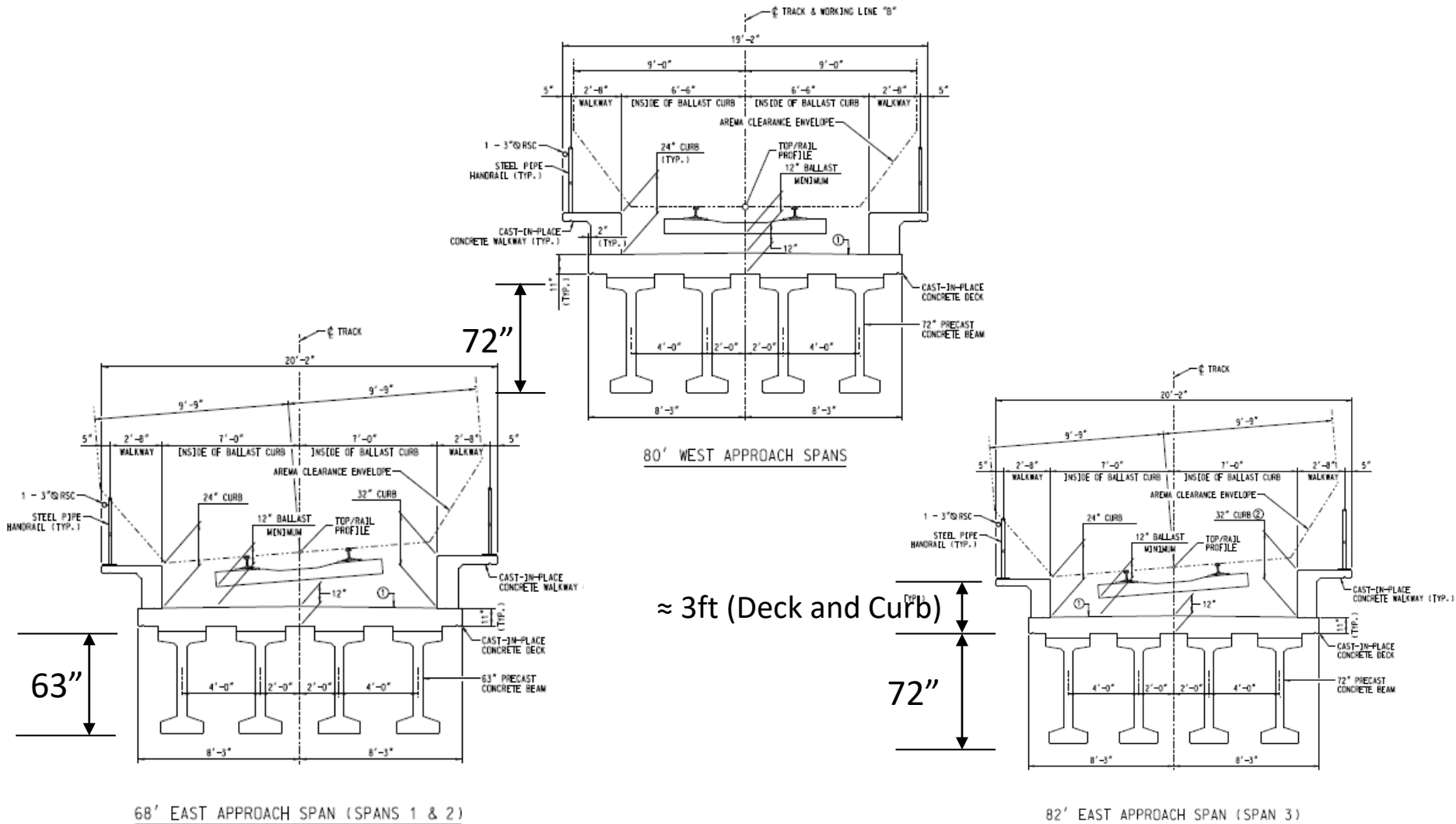
Typical Span Cross Section

200ft Steel Girder Spans



Typical Span Cross Section

Precast Concrete Beam Spans



≈ 3ft (Deck and Curb)

Similar Project with Span Types (Steel and Concrete)



Questions?

BNSF[®]
RAILWAY